

Data Sheet

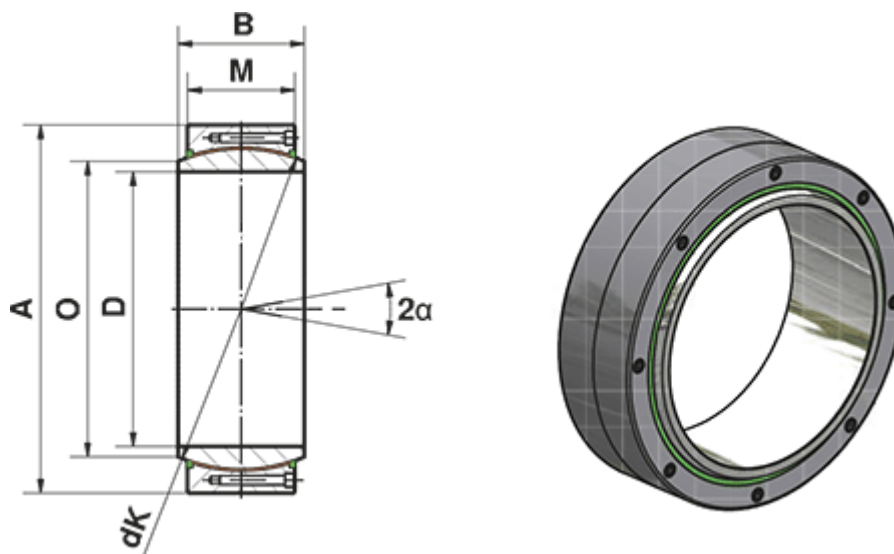


Article number: 03448400

Description: Fluro Heavy Duty Spherical Plain Bearing GE 400 CW-2RS
Hole \varnothing 400

Note: 400

Measures



A	= 540
a (degrees)	= 3.9
B	= 190
D	= 400
dK	= 470
Dynamic load C (kN)	= 19415
M	= 160
O	= 429.8

Static load C0 (kN)	= 32370
Weight (g)	= 131